

HEADLAMP TEST FIXTURE

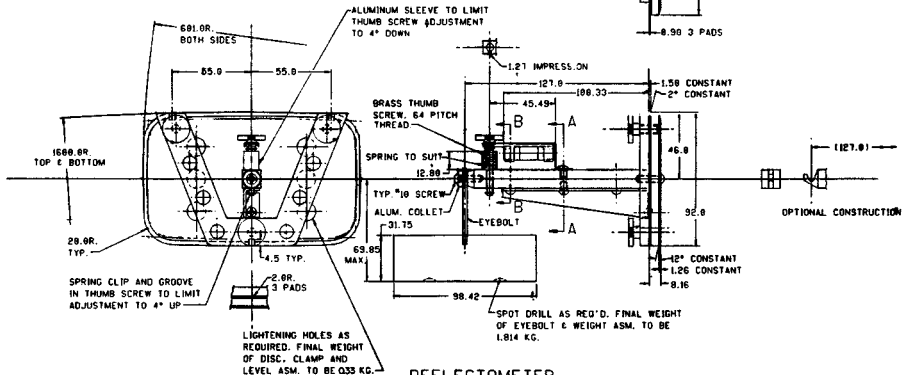
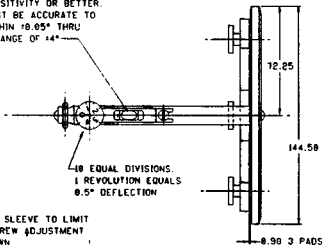
92 X 150 MM

DIMENSIONS ARE IN MM

MACHINE MATERIALS:

- DISC, ARM, BRACE & CLAMP
ALUM. - SAE-AA-6861-T6 OR EQUIV.
- COIL SPRING & LEVEL CLIP
SPRING STEEL SAE 1050 - CADMIUM PLATE
- WEIGHT & EYEBOLT ASM.
STEEL - CADMIUM PLATE
- SCREWS
ALUM. - MACHINE THREADS
MACHINED DIMS. ± 0.12 MM

- (1) 5.00 BUBBLE MOVEMENT MUST INDICATE 0.25° SENSITIVITY OR BETTER.
- (2) MUST BE ACCURATE TO WITHIN $\pm 0.05^\circ$ THRU A RANGE OF $\pm 4^\circ$



DEFLECTOMETER