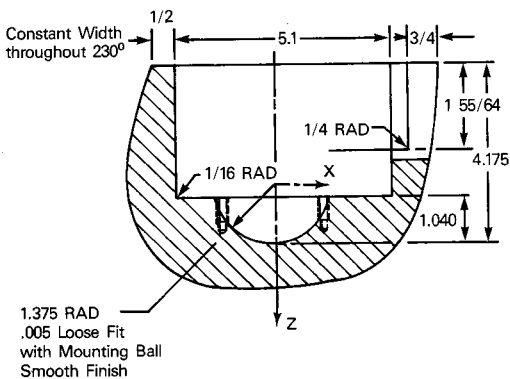
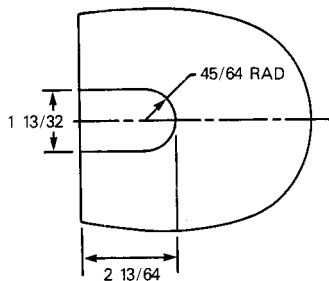
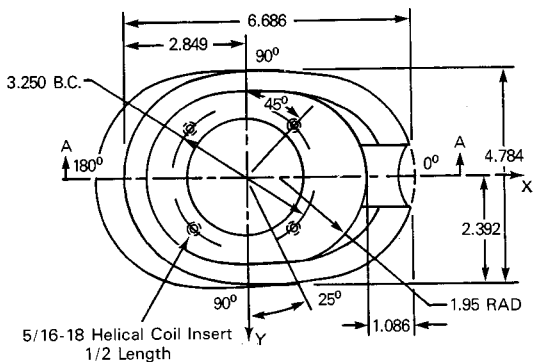


Figure 6

Small Headform – Interior Design



Note:
To obtain metric equivalents in centimeters, multiply each figure by 2.54.

Section A-A