

FIGURE NO. 5  
LUMBAR FLEXION TEST

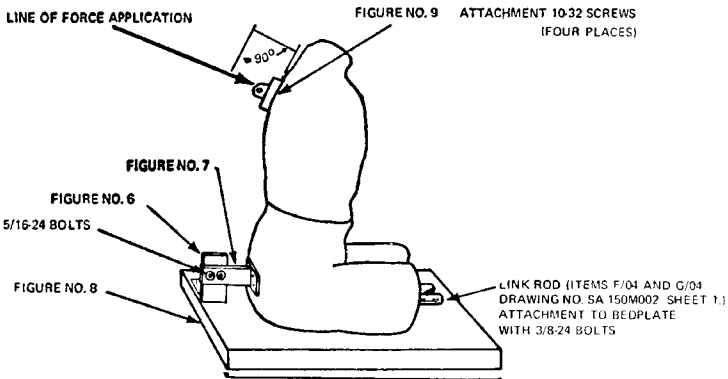
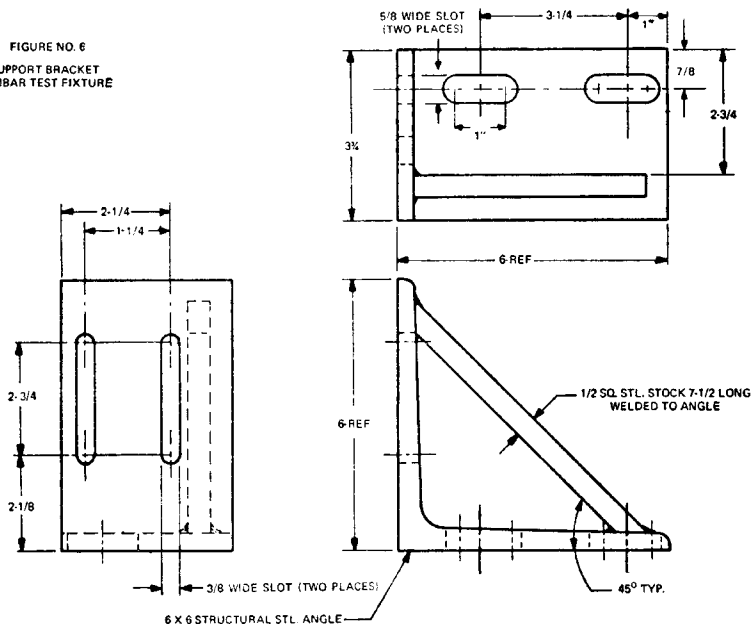


FIGURE NO. 6  
SUPPORT BRACKET  
LUMBAR TEST FIXTURE



TOLERANCE  $\pm 1/32"$