

RECOMMENDED
LOCATION FOR
CARGO CENTER
OF GRAVITY FOR
CARGO WEIGHT
RATING

TRUCK MANUFACTURER'S NAME
TRUCK MODEL OR DESCRIPTION

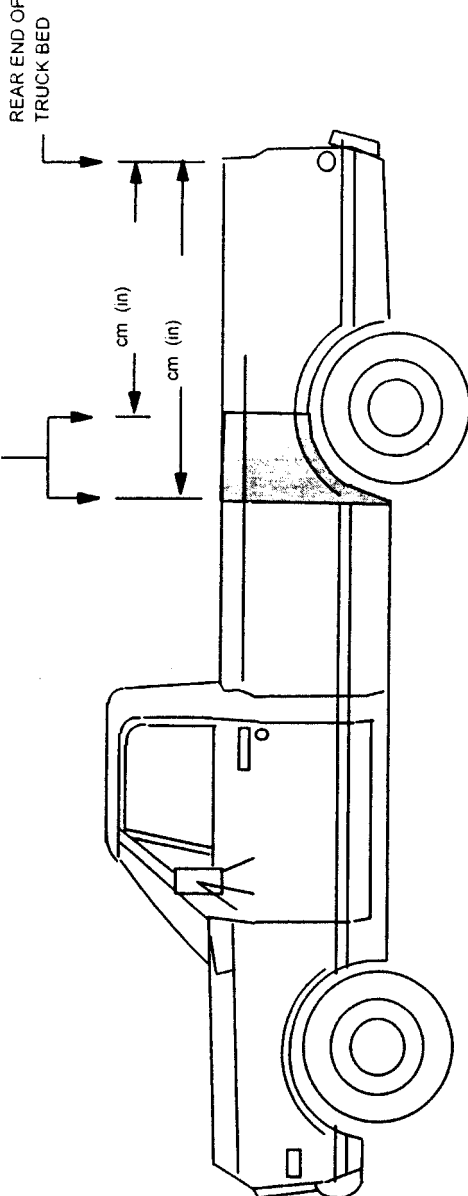


FIGURE 4. TRUCK LOADING INFORMATION