

Figure 5

# AMBIENT LIGHT TEST

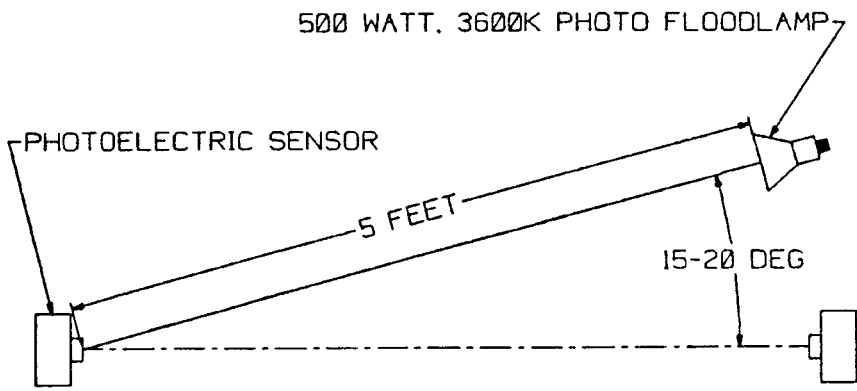
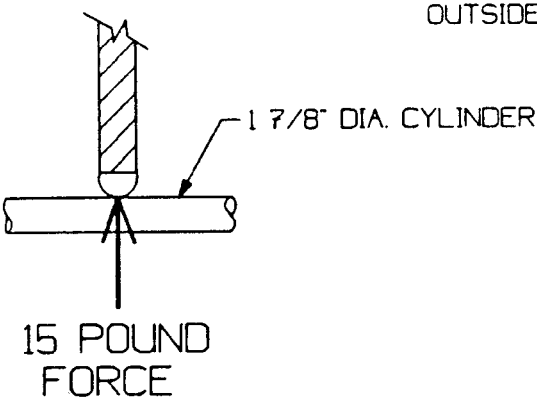


Figure 6

# EDGE SENSOR NORMAL OPERATION TEST

SECTIONAL  
DOOR

ONE PIECE  
DOOR



OUTSIDE SURFACE

