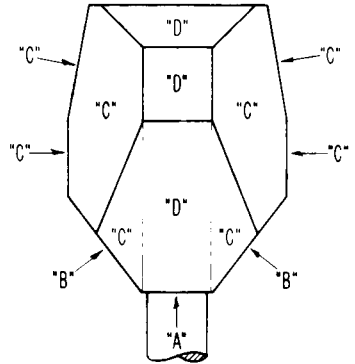
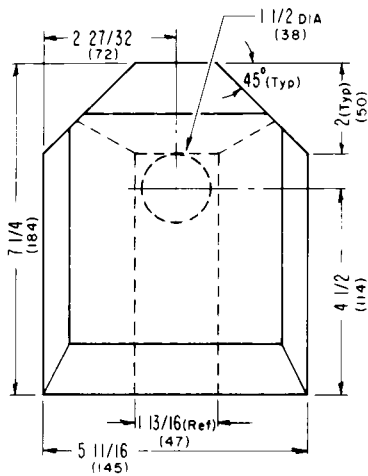


FIG 2-HEADFORM PROBE

DIMENSIONS ARE SHOWN IN INCHES AND WILL BE USED FOR COMPLIANCE PURPOSES MILLIMETERS, SHOWN IN PARENTHESIS, ARE FOR CONVENIENCE ONLY.



REAR VIEW — IDENTIFYING SURFACES

