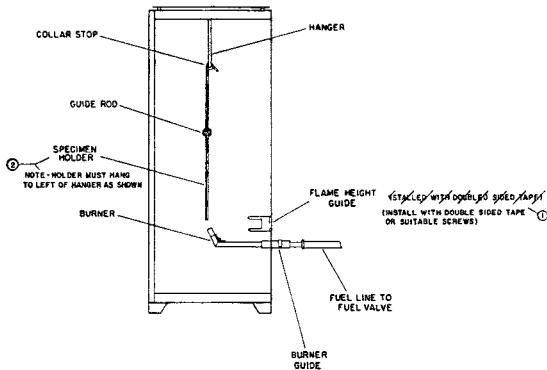


ORIGINAL DATE OF DRAWING			
REVISIONS			
NO	D.C.N.	CHANGE	DATE
1		PERMANENT ALTERNATE PARTS	
2		SPECIMEN HOLDER LOCATION	
3			
4			

FRONT VIEW
(DOOR REMOVED)



NATIONAL BUREAU OF STANDARDS	
VERTICAL FLAMMABILITY TEST FOR FIBER'S BURNER ASSEMBLY	
OFFICE OF FLAMMABLE FABRICS	
DATE	TEST YEAR
DESIGNER	TESTER
E.C. WATTS	
REVISIONS	
BY	DATE
APPROVED BY	DATE
IN CHARGE	DATE
THIS DRAWING IS THE PROPERTY OF THE NATIONAL BUREAU OF STANDARDS. IT IS LOANED TO YOUR OFFICE AND IS NOT TO BE REPRODUCED OR TRANSMITTED IN ANY FORM OR BY ANY MEANS, ELECTRONIC OR MECHANICAL, INCLUDING PHOTOCOPYING, RECORDING, OR BY ANY INFORMATION STORAGE AND RETRIEVAL SYSTEM.	
DR'WG No 2	