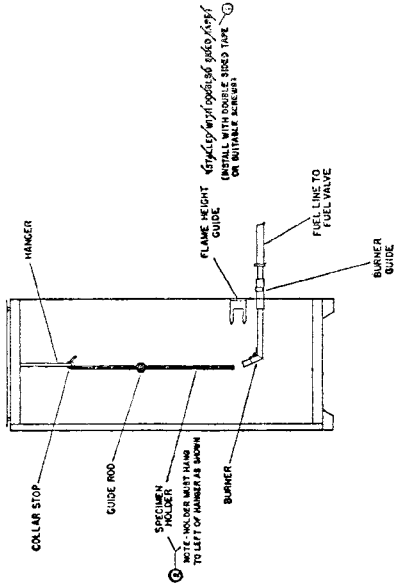


NO.	T.C.N.	DATE
1	1-10-54	1-10-54
2	1-10-54	1-10-54
3	1-10-54	1-10-54
4	1-10-54	1-10-54

FRONT VIEW
(DOOR REMOVED)



REVISIONS

NATIONAL BUREAU OF STANDARDS
VERIFICATION DIVISION
100 COLLEGE PARK, MARYLAND
THE OFFICE OF FLAMMABLE PAPERS

DATE: 1-10-54
BY: J. E. WELLS
CHECKED BY: J. E. WELLS

DESIGNED BY: J. E. WELLS
DRAWN BY: J. E. WELLS
TESTED BY: J. E. WELLS
APPROVED BY: J. E. WELLS

100 COLLEGE PARK, MARYLAND