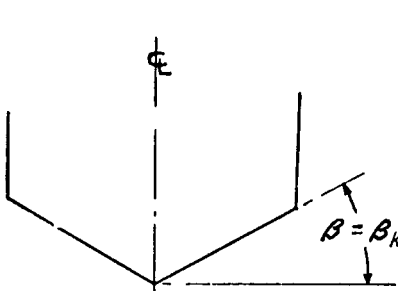
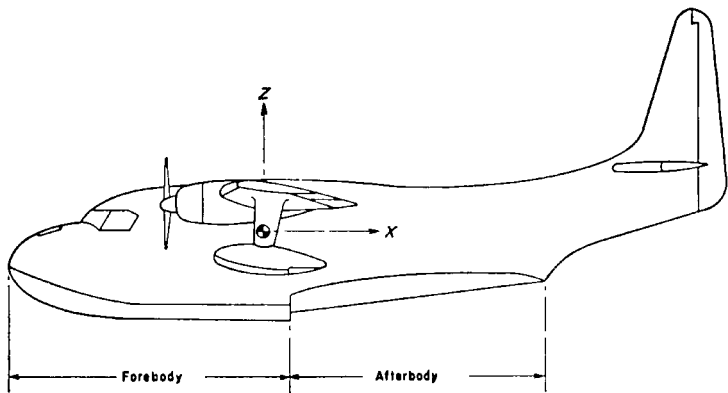
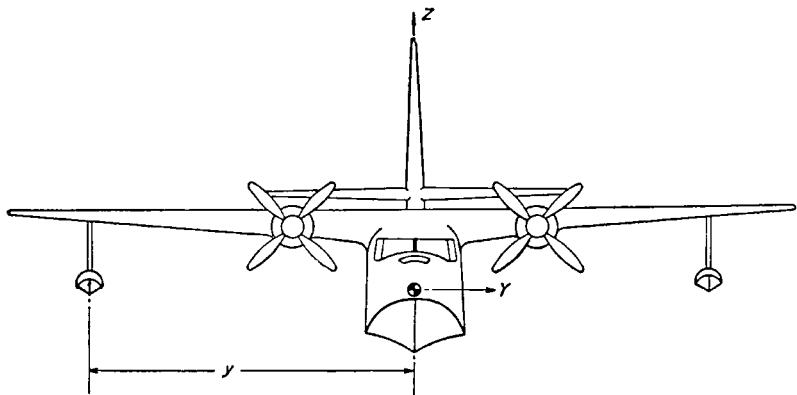
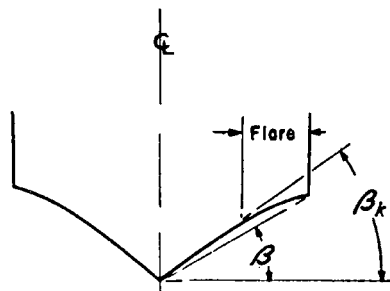


## Appendix B

FIGURE 1—Pictorial definition of angles, dimensions, and directions on a seaplane



**Unflared Bottom**



**Flared Bottom**