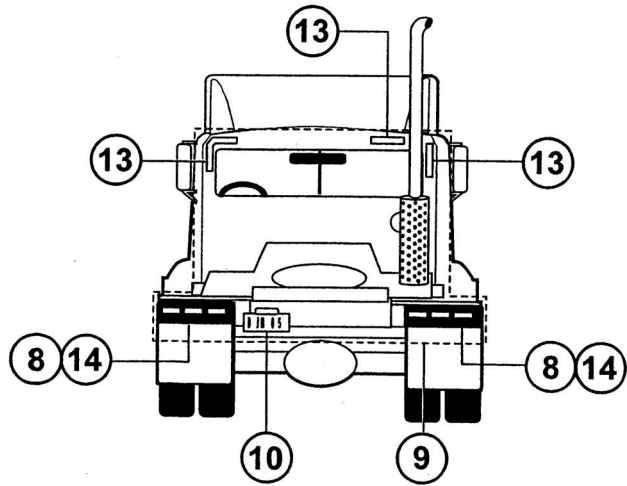
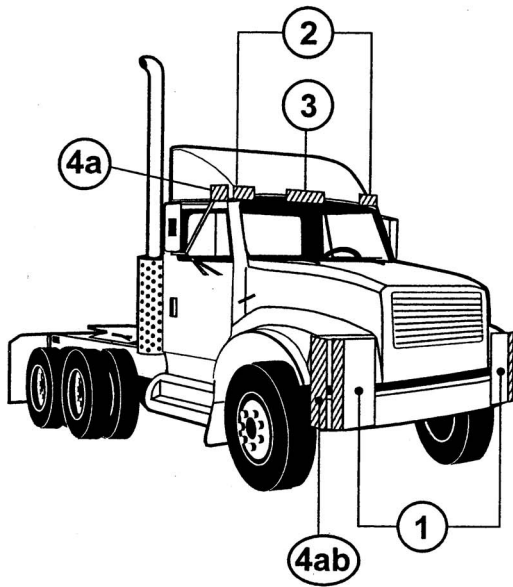


**Figure 1 - Truck Tractor Illustration for § 393.11**



**Figure 2 - Straight Truck Illustration for § 393.11**

