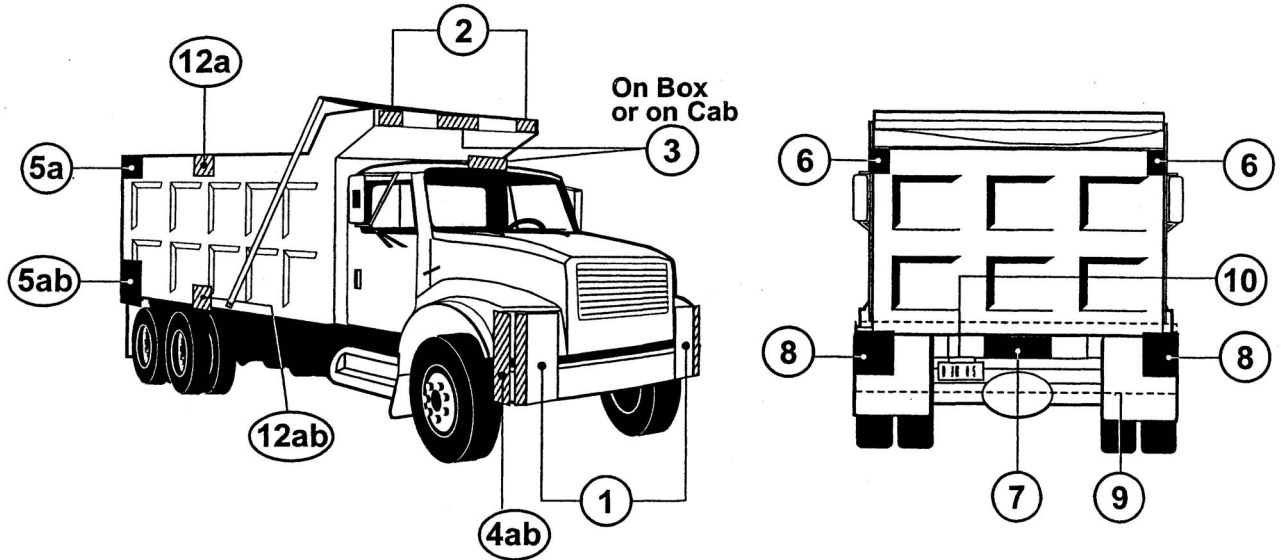


**Figure 3 - Straight Truck Illustration for § 393.11**



**Figure 4 - Straight Truck Illustration for § 393.11**

