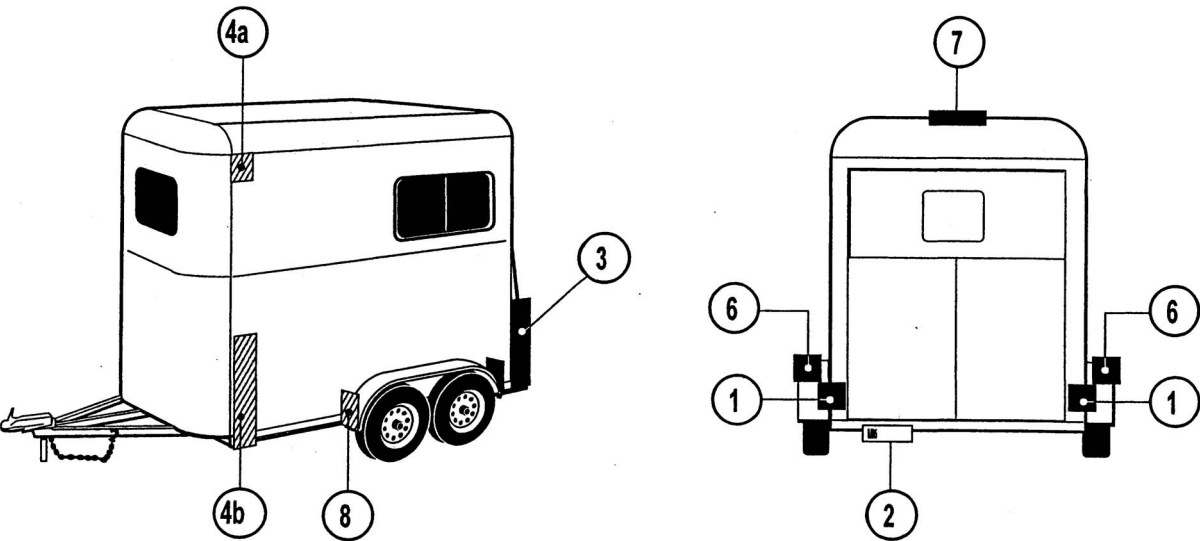


**Figure 14 - Semi-Trailer Illustration for § 393.11**



**Figure 15 - Semi-Trailer Illustration for § 393.11**

