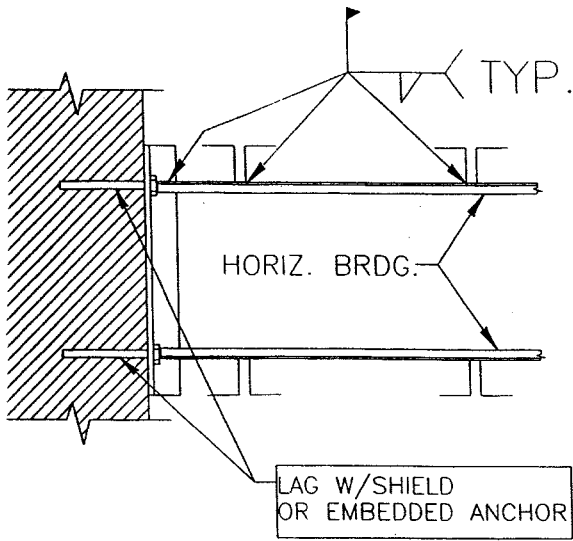
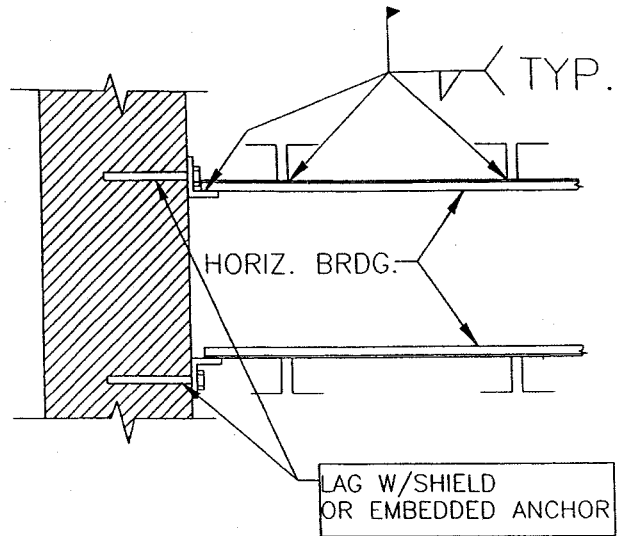


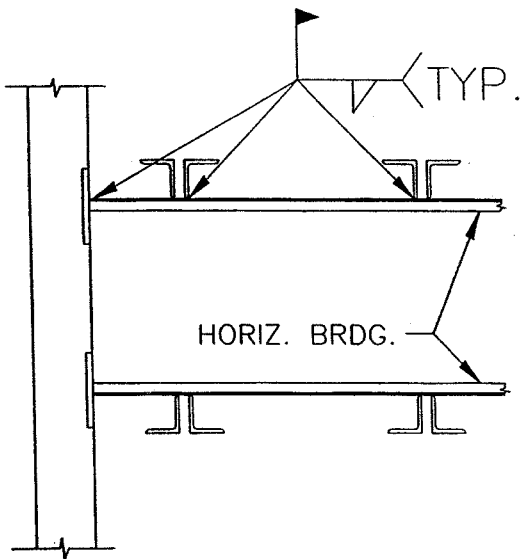
Guidelines for Complying with §§1926.757(a)(10) and 1926.757(c)(5).



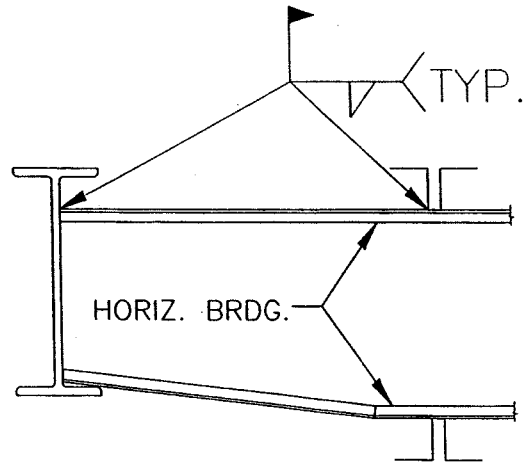
HORIZONTAL BRIDGING
TERMINUS AT WALL



HORIZONTAL BRIDGING
TERMINUS AT WALL



HORIZONTAL BRIDGING
TERMINUS AT PANEL WALL



HORIZONTAL BRIDGING
TERMINUS AT
STRUCTURAL SHAPE