

LOAD
APPLIED

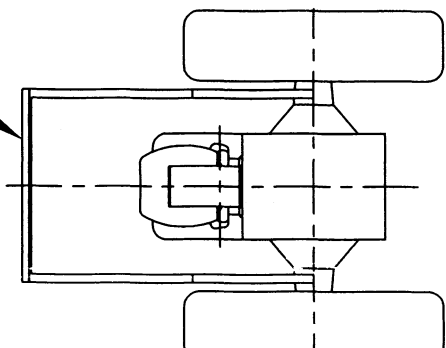
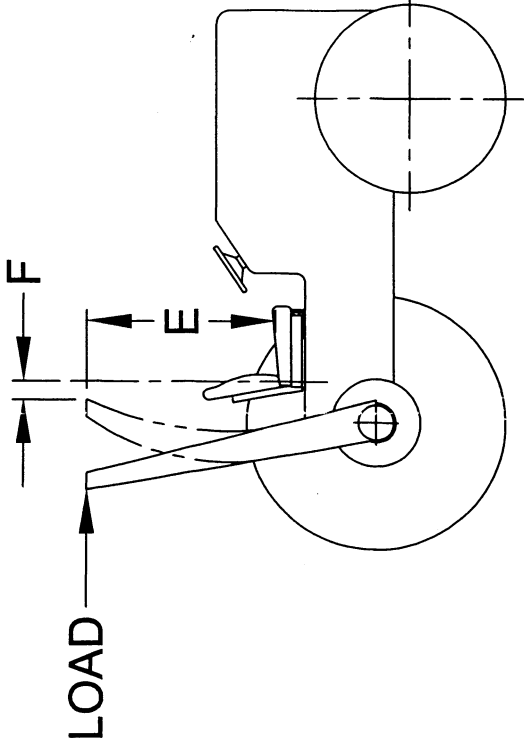


FIGURE W-17 - REAR LOAD APPLICATION.