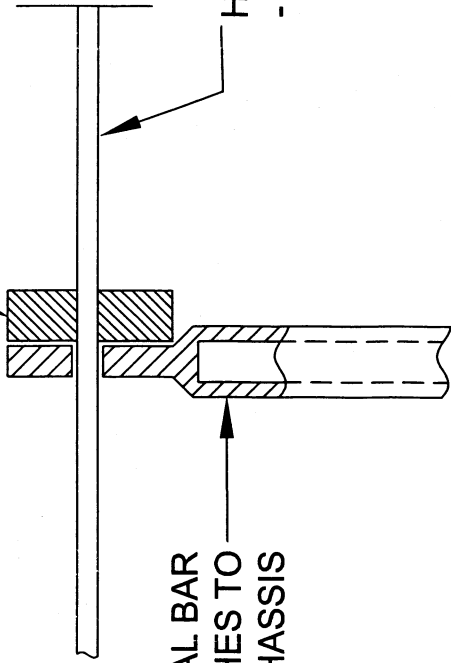


FRICION COLLAR



VERTICAL BAR  
- ATTACHES TO  
TRACTOR CHASSIS

HORIZONTAL ROD  
- ATTACHES TO FRAME

FIGURE W-18 - METHOD OF MEASURING INSTANTANEOUS DEFLECTION.