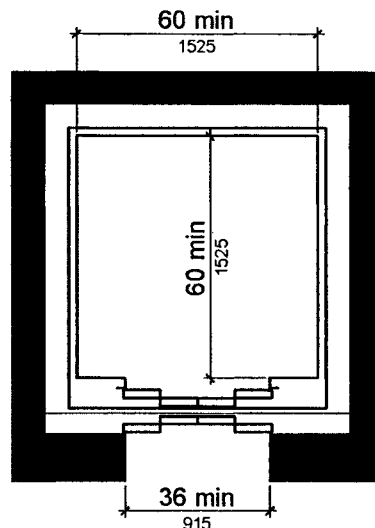
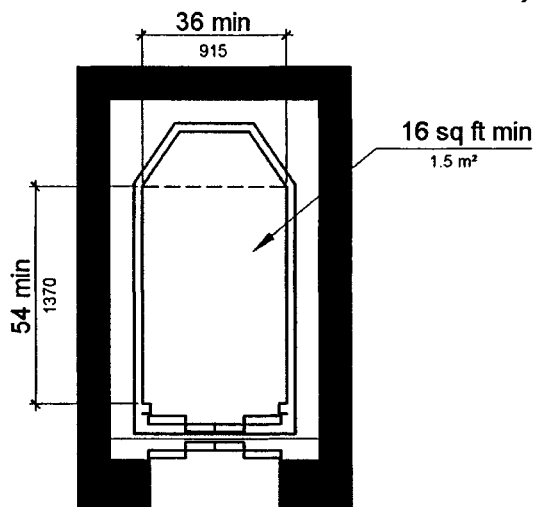


(c)
any door location



(d)
any door location



(e)
Exception
existing elevator car configuration

Figure 407.4.1
Elevator Car Dimensions