

# CHAPTER 5: GENERAL SITE AND BUILDING ELEMENTS

## 501 General

**501.1 Scope.** The provisions of Chapter 5 shall apply where required by Chapter 2 or where referenced by a requirement in this document.

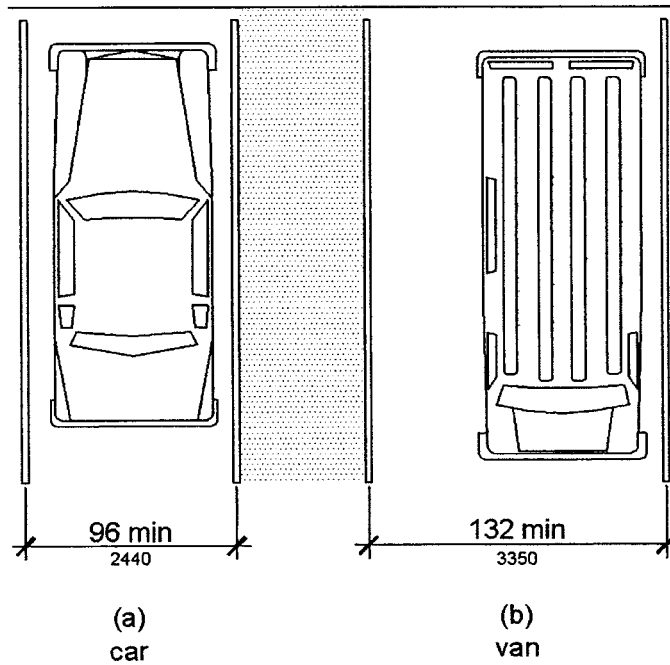
## 502 Parking Spaces

**502.1 General.** Car and van parking *spaces* shall comply with 502. Where parking *spaces* are marked with lines, width measurements of parking *spaces* and access aisles shall be made from the centerline of the markings.

**EXCEPTION:** Where parking *spaces* or access aisles are not adjacent to another parking *space* or access aisle, measurements shall be permitted to include the full width of the line defining the parking *space* or access aisle.

**502.2 Vehicle Spaces.** Car parking *spaces* shall be 96 inches (2440 mm) wide minimum and van parking *spaces* shall be 132 inches (3350 mm) wide minimum, shall be marked to define the width, and shall have an adjacent access aisle complying with 502.3.

**EXCEPTION:** Van parking *spaces* shall be permitted to be 96 inches (2440 mm) wide minimum where the access aisle is 96 inches (2440 mm) wide minimum.



**Figure 502.2**  
**Vehicle Parking Spaces**