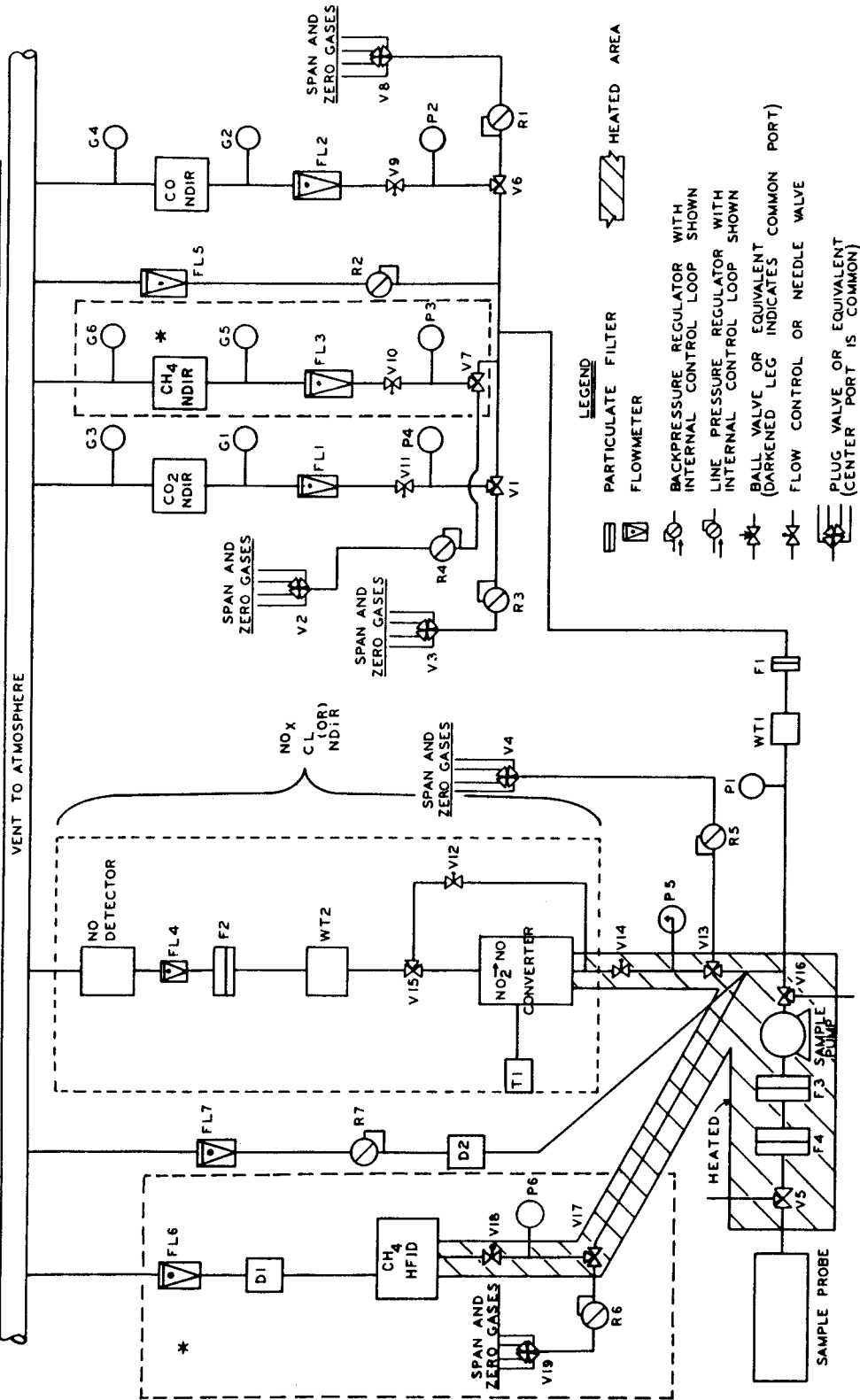


FIG. E-1 EXHAUST GAS SAMPLING AND ANALYTICAL TRAIN — CATEGORY A ENGINES



* EITHER METHOD MAY BE USED TO MEASURE CH₄ IN THE UNDILUTED EXHAUST GAS.