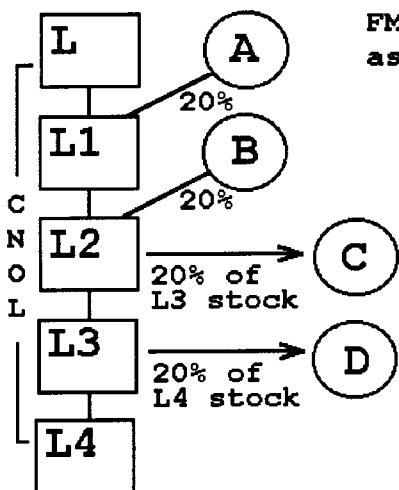


FMVs of nonstock assets--

L: \$900
 L1: \$0
 L2: \$0
 L3: \$0
 L4: \$100



FMVs of nonstock assets--

L: \$900
 L1: \$0
 L2: \$0
 L3: \$0
 L4: \$100