

⊕ BLOCK COVERED BY
1.00 MED. DENSITY CANVAS
COVERED FOAM RUBBER

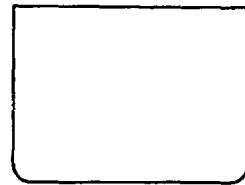
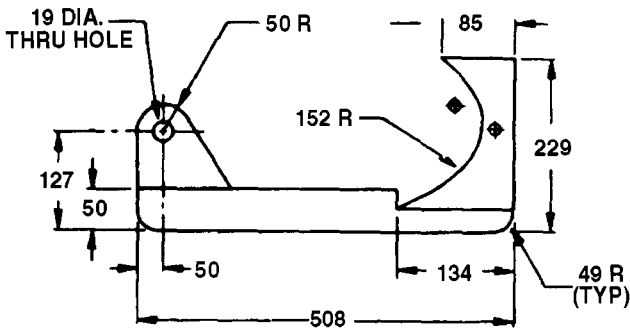


Figure 2.—Body Block for Lap Belt
All Dimensions in Millimeters (mm)