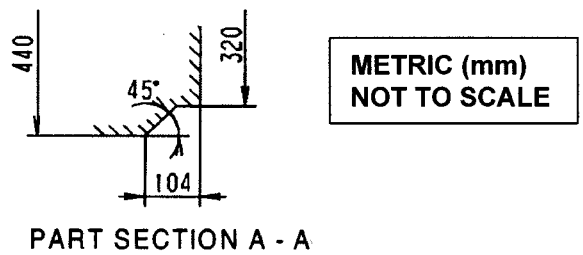
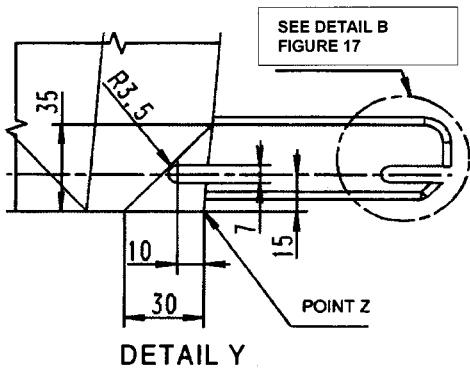
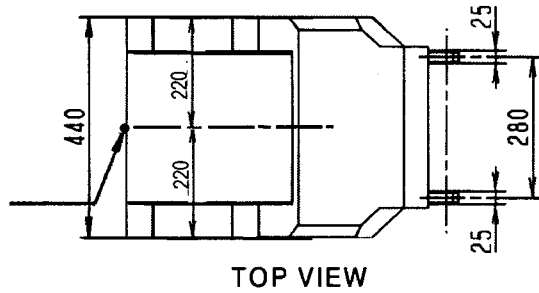
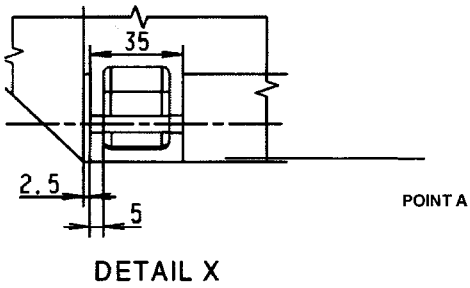
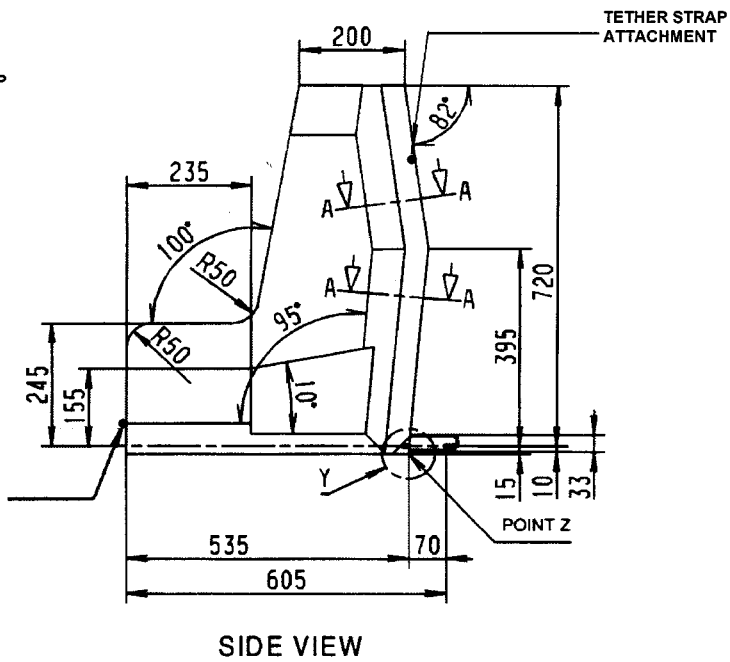
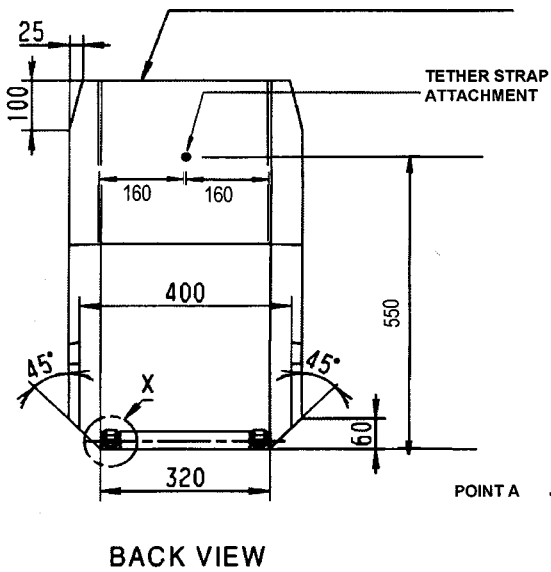


SIDE, BACK, AND TOP FRAMES REMOVABLE FOR INSTALLATION IN VEHICLE



Note:
1. Mass of CRF 5 to 8 kg

Figure 2 - Child restraint fixture (CRF)